

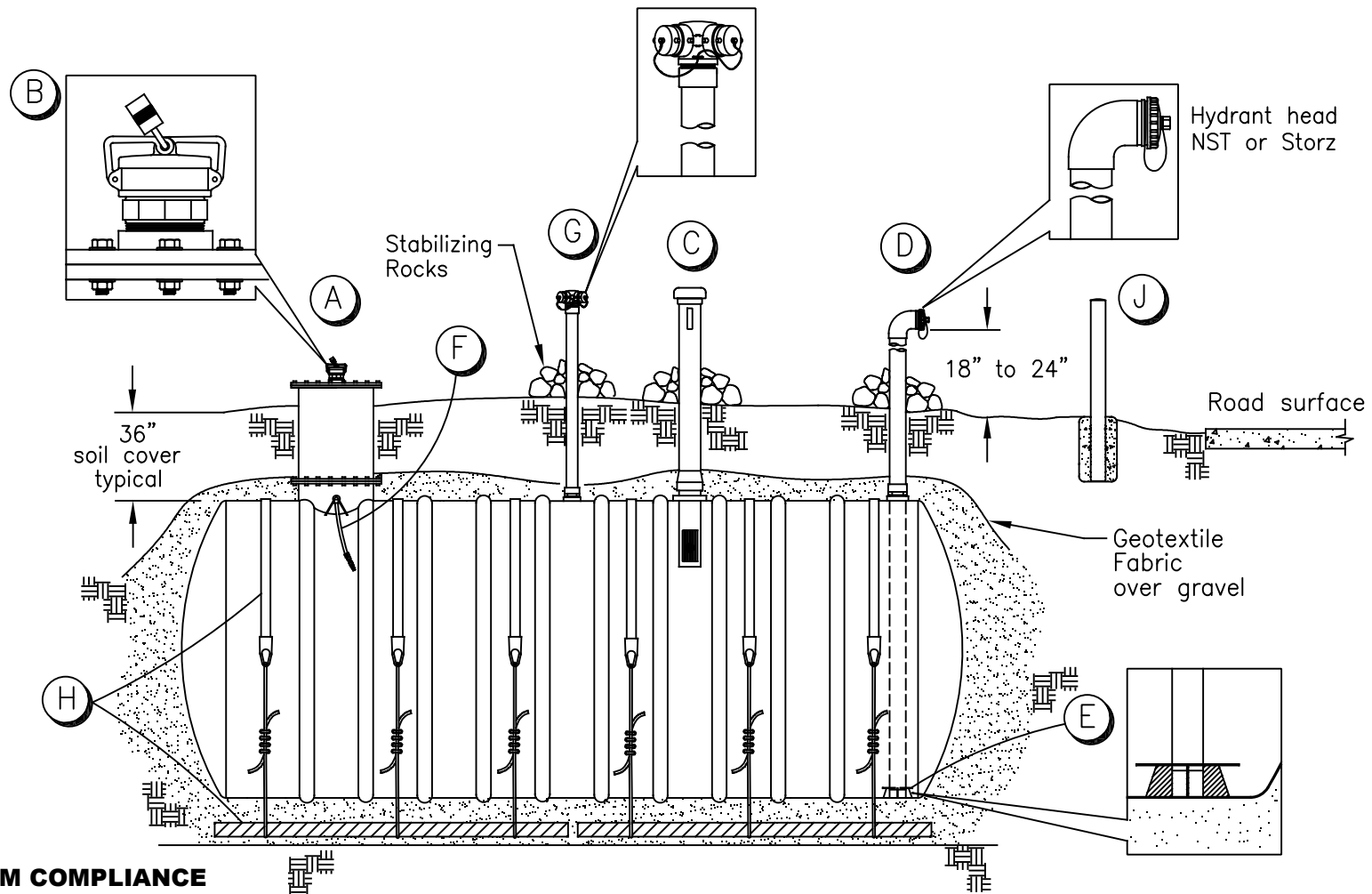
Standard Dry Hydrant - Suction (Draft)

Appurtenances

- A. 30" Diameter manway with bolted cover.
- B. Lockable 4" water level inspection hatch on manway cover.
- C. Combination vent and red/green water level indicator.
- D. Dry hydrant suction head with aluminum cap and removable strainer.
- E. 6" draw pipe with N.F.P.A. anti-vortex plate at foot.
- F. High level weep overflow to allow any excess water to drain off.
- G. Siamese clapped refill with 2 1/2" NST-F swivels.
- H. Anchor straps, cable, and concrete deadmen poured on site.
- J. Pipe bollards in concrete.

Notes

1. Lift for 8' diameter tank = 13 vertical feet to hydrant head.
2. Add or delete accessories to meet your specific water supply requirements.
3. Geotextile fabric recommended between gravel backfill and soil cover.
4. Height of hydrant (D) should be below pump inlet to avoid trapping air in suction hose.
5. Place stabilizing rocks around PVC riser pipes and hydrant.
6. Use optional Darco a deadman anchor system when necessary. Not all tanks require anchoring.
7. Paint all exposed PVC pipe for UV protection.
8. Locate cistern perpendicular to the road when possible.



**PLEASE CONFIRM COMPLIANCE
BEFORE ORDERING**

NOT TO SCALE, FOR ILLUSTRATION ONLY

Darco Inc.
All Rights Reserved
Revision 3/14/22