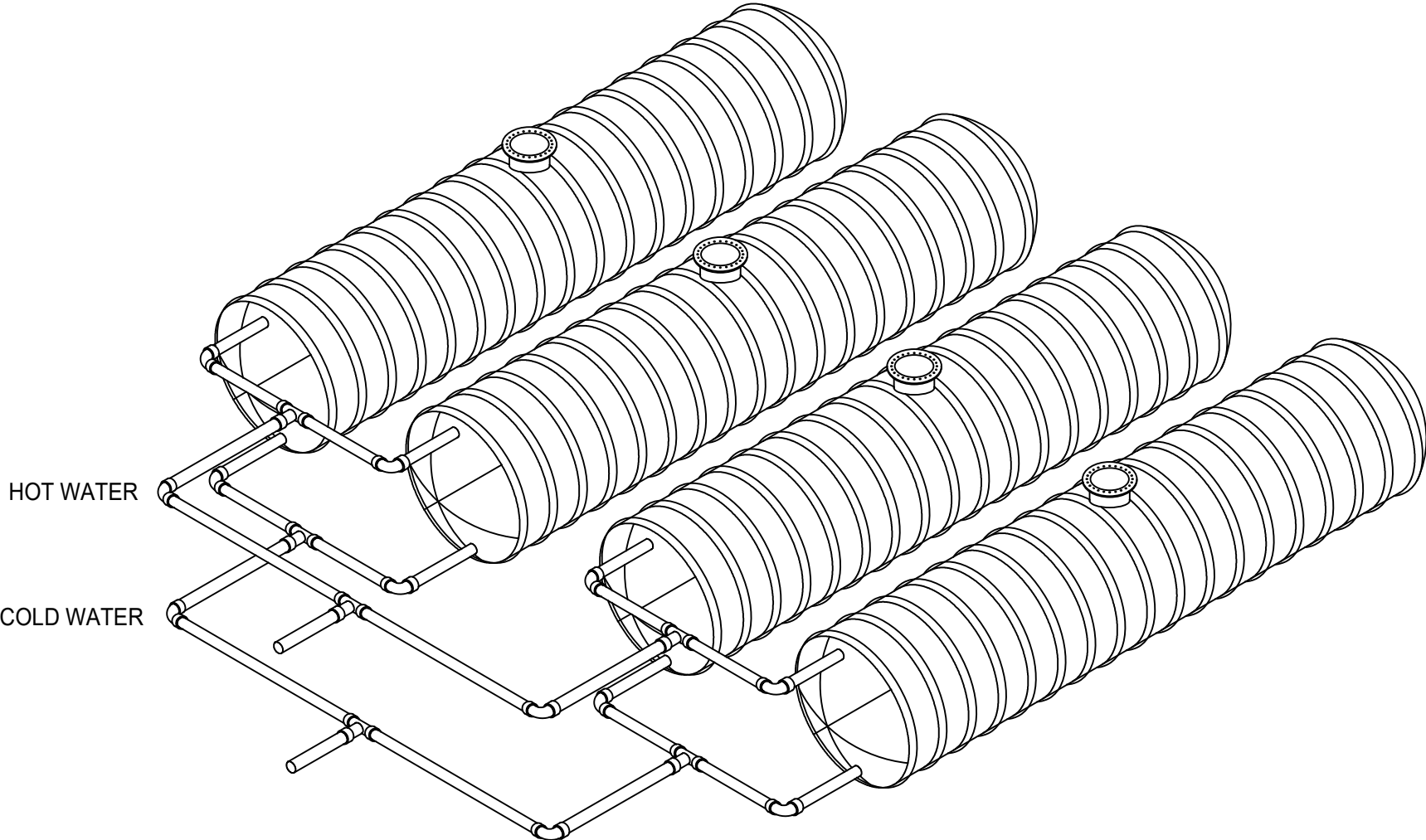


TYPICAL MULTI-TANK 200,000 GALLON THERMAL STORAGE LAYOUT
WITH BALANCED FLOW MANIFOLDS



INTERNAL TANK DIFFUSER PIPING NOT SHOWN