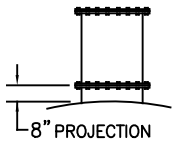
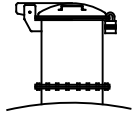


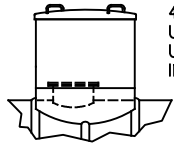
**MANWAY ACCESSORIES**



FLANGED MANWAY  
EXTENSION WITH  
BOLTED COVER  
24"-30"-36" DIA.  
UP TO 60" TALL



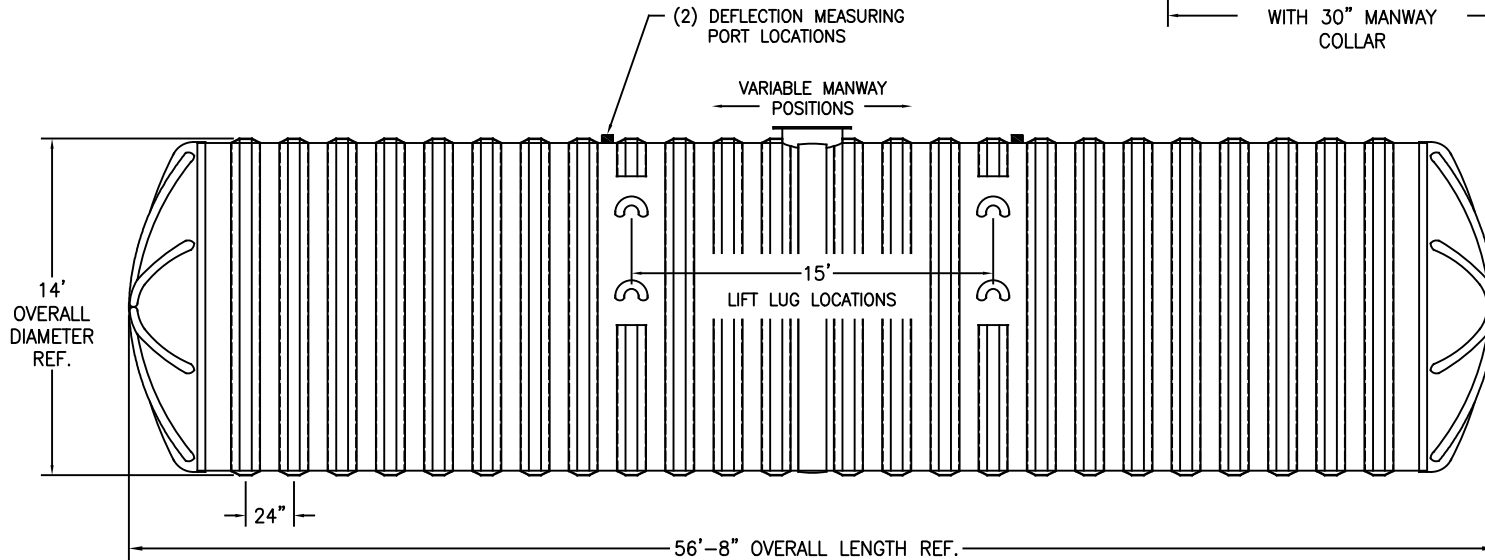
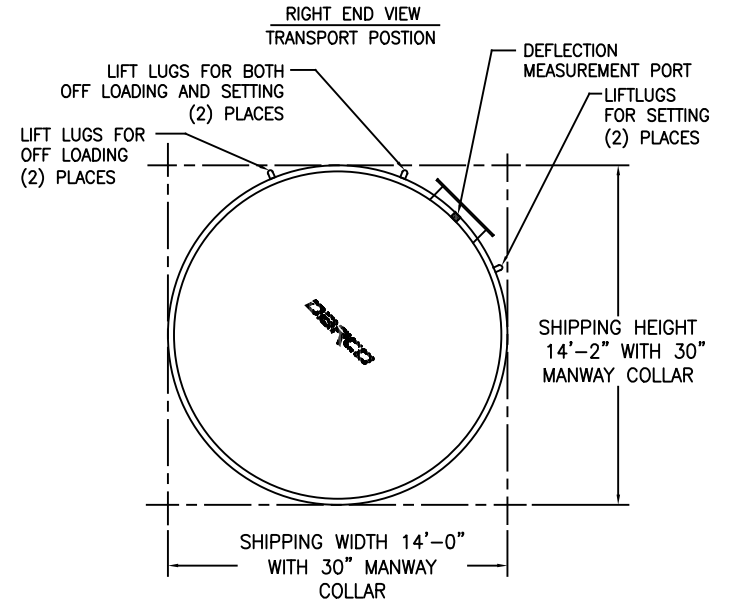
LOCKABLE HINGED  
MANWAY COVER  
AVAILABLE FOR 30" DIA.  
EXTENSIONS ONLY



MANWAY ENCLOSURE  
48" DIAMETER  
UP TO 60" TALL  
USING 20" I.D.  
INTERNAL MANWAY

NOMINAL SHIPPING  
WEIGHT: 17,750 POUNDS

| KEY             |  |
|-----------------|--|
| LIFT LUG        |  |
| ANCHOR STRAP    |  |
| DEFLECTION PORT |  |
| DEADMAN         |  |



**WARNING**  
MINIMUM SOIL DEPTH ABOVE TANK WHEN USING DEADMAN ANCHORS IS 2 FEET.

**NOTE:**  
THE DECISION TO USE AN ANCHORING SYSTEM IS THE RESPONSIBILITY OF THE OWNER OR HIS REPRESENTATIVE. NOT EVERY TANK WILL REQUIRE ANCHORING.



|                      |  |                 |
|----------------------|--|-----------------|
| Rev Date<br>9/9/2020 | 14'-0" I.D. 55,000 GAL.<br>FIBERGLASS HORIZONTAL TANK  | Sheet<br>1 of 1 |
| Rev Let<br>INT. REL. | Darco Incorporated<br>Post Office Box 68 Cottonwood, AZ 86326<br>800-232-8660 - www.darcoinc.com |                 |